



AF&PA News



A Joint News Release from the American Forest & Paper Association and the International Code Council.

FOR IMMEDIATE RELEASE:
November 1, 2007

CONTACT:
John "Buddy" Showalter
202-463-2769

AWC/ICC Release New Wood Deck Construction Guide

Washington, DC – AF&PA's American Wood Council (AWC) and the International Code Council are pleased to announce publication of *Design for Code Acceptance (DCA) No. 6 - Prescriptive Residential Deck Construction Guide*. This new document provides guidance on the Code Council's *International Residential Code (IRC)* provisions for single-level, residential wood deck construction.

"Information like this is imperative because it provides easy-to-understand code compliant construction solutions for wood-frame residential decks," stated Kenneth E. Bland, P.E., AWC's Senior Director for Building Codes and Standards. "Working closely with ICC ensures that the *Deck Guide* gets to designers, builders, and the code enforcement community quickly and efficiently."

With a strong need in residential construction for simple design tools, AWC has developed this new easy-to-use *Guide* for builders and home owners who are constructing single level decks in all areas of the country. The new publication is co-branded with the Code Council and Fairfax County, Virginia.

"The *Deck Guide* will greatly improve the construction and safety of wood decks. It provides simplified solutions, detailed drawings, and will improve construction consistency and residential code compliance," said Mark Johnson, Code Council Senior Vice President of Business and Product Development.

Prescriptive solutions presented in the *Guide* are in compliance with the 2006 *IRC*. Use of the *Guide* will result in design solutions that prescriptively meet the requirements of the *IRC*. Additional provisions, not included as requirements in the *IRC*, are contained in the document and are considered good practice recommendations.

The *Guide* was developed with input from, and in cooperation with, the National Association of Home Builders, the International Code Council, Fairfax County (Virginia), Simpson Strong-Tie Company, Virginia Tech, Washington State University, WTCA-Representing the Structural Building Components Industry, Southern Pine Inspection Bureau, APA-The Engineered Wood Association, and the Southern Forest Products Association.

For more information, contact John "Buddy" Showalter, P.E. – buddy_showalter@afandpa.org or Mark Johnson - mjohnson@iccsafe.org. To download a free copy, visit www.awc.org.

###

The American Wood Council (AWC) is the wood products division of the American Forest & Paper Association (AF&PA). AF&PA is the national trade association of the forest, paper, and wood products industry, representing member companies engaged in growing, harvesting, and processing wood and wood fiber, manufacturing pulp, paper, and paperboard products from both virgin and recycled fiber, and producing engineered and traditional wood products. For more information see www.afandpa.org.

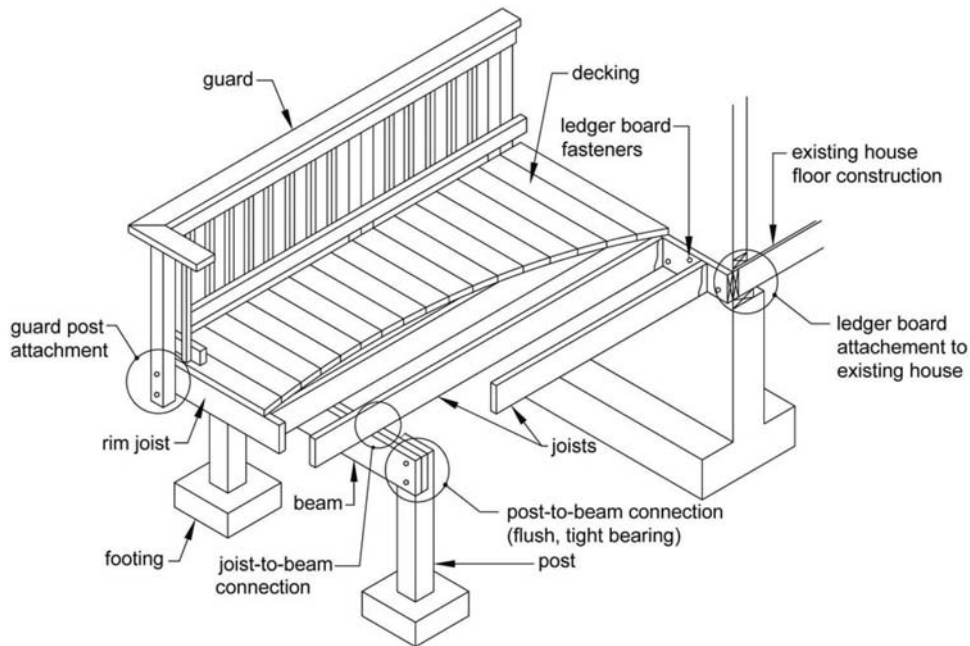
The International Code Council, a membership association dedicated to building safety and fire prevention, develops the codes used to construct residential and commercial buildings, including homes and schools. Most U.S. cities, counties, and states that adopt codes choose the International Codes developed by the International Code Council. For more information see www.iccsafe.org.

Design for Code Acceptance



Prescriptive Residential Deck Construction Guide

Based on the *2006 International Residential Code*



WHERE APPLICABLE, PROVISIONS AND DETAILS CONTAINED IN THIS DOCUMENT ARE BASED ON THE *INTERNATIONAL RESIDENTIAL CODE (IRC)* [bracketed text shows reference to applicable sections of the *IRC*]. PROVISIONS CONTAINED IN THIS DOCUMENT THAT ARE NOT INCLUDED IN THE *IRC* ARE CONSIDERED GOOD PRACTICE RECOMMENDATIONS. WHERE DIFFERENCES OCCUR BETWEEN PROVISIONS OF THIS DOCUMENT AND THE *IRC*, THE PROVISIONS OF THE *IRC* SHALL APPLY.

American Forest & Paper Association